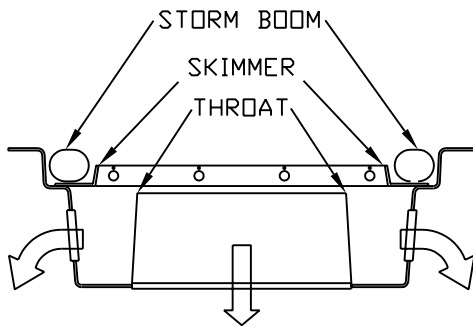


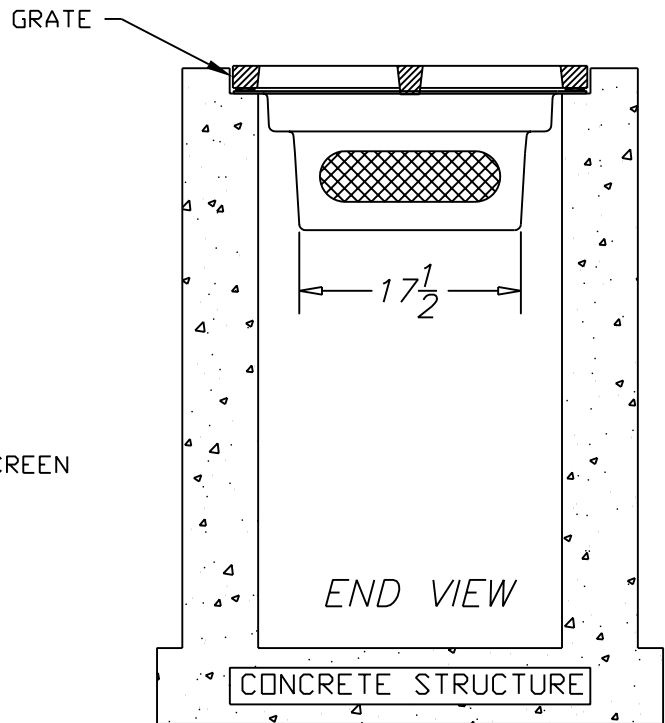
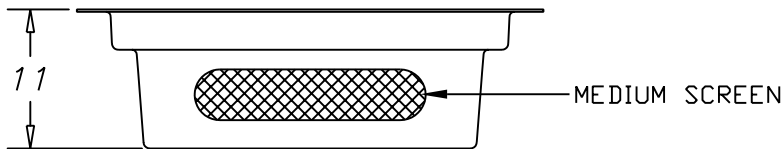
Flow Specifications

Description of filter opening	Percent Open <i>Based on Screen Dimensions</i>	Total Square Inches per Unit	Square Inches of Total Unobstructed Openings	Flow Rate (Cubic Feet per Second)
Medium Screen 10x10 mesh stainless steel	56%	292	163.5	5.9 cfs
THROAT FLOW RATE Total: 3.5 cfs			TREATED FLOW RATE Total: 5.9 cfs	
FLOW RATES BASED ON UNOBSTRUCTED OPENINGS				

FLOW SCHEMATIC



SIDE VIEW



REMOVE GRATE
INSERT GISB
REINSTALL GRATE

BOX MANUFACTURED FROM
MARINE GRADE FIBERGLASS & GEL
COATED FOR UV PROTECTION

5 YEAR MANUFACTURERS WARRANTY

PATENTED

ALL FILTER SCREENS ARE STAINLESS STEEL

PERIMETER GRATE INLET SKIMMER BOX FOR
FLORIDA DOT TYPE C INLET STRUCTURES.

Suntree Technologies Inc.

798 Clearlake Road
Cocoa, Florida 32922

PH: 321-637-7552
Fax: 321-637-7554

Part # PGISB-C-37-28-11

All Dimensions are in
inches, unless
otherwise noted.

Scale:
NONE